
Informationsblatt
Foglio informativo
Information sheet

Gateway - PoE



Outdoor Case

- Ingress protection IP67
- Dimensions 160 x 160 x 240 mm
- Weight 1.5 kg
- Operating temperature from -40°C to 75°C



PoE Injector 24V 1A 24W + power supply cable

- 24 V output voltage
- Output power rating 1A (24W)
- Input voltage AC 100 ~ 240 V
- Input frequency 50 ~ 60 Hz
- Operating temperature 0 °C ~ + 40 °C
- Storage temperature -20 °C ~ + 85 °C



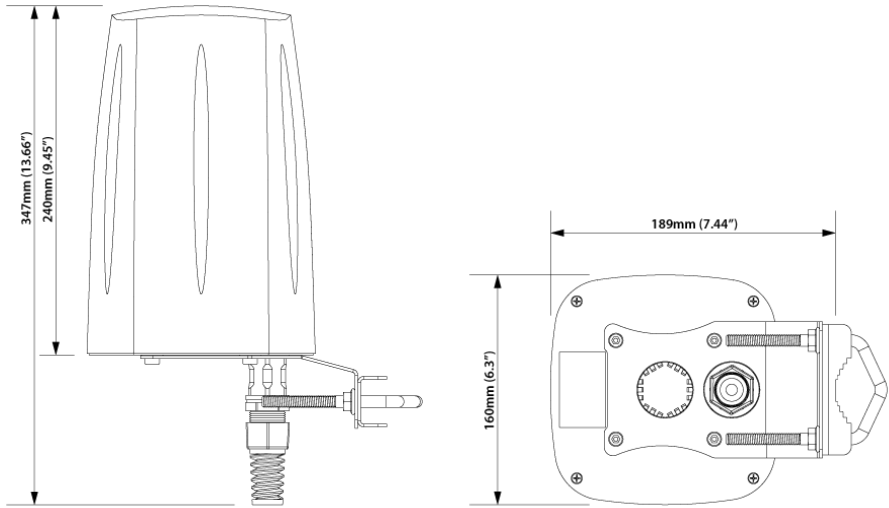
POE LAN Cable

- Standard cable length 5 m.



Wall/Pole mounting 75ø mm. + screws/nuts





IMPORTANT NOTES

- AS THESE ARE SENSITIVE ELECTRONIC COMPONENTS, APPROPRIATE OVERVOLTAGE PROTECTIONS SHOULD BE PROVIDED
- THE OUTDOOR CASE HAS TO BE FIXED ON A WALL OR A POLE AND IN CLEAR VIEW (max. 50m) OF A LUMINAIRE TO NOT RESTRICT RADIO COMMUNICATION SIGNAL (Depends on the Smart Module mounted on the lamp)
- PRE-WIRED POE CABLE LENGHT 5m
- DO NOT DISCONNECT THE PRE-WIRED CABLE, AS THERE IS A RISK OF MAKING IT NO LONGER WATERPROOF
- DO NOT OPEN THE OUTDOOR-CASE IN ANY CASE
- USE ONLY ORIGINAL SPARE PARTS

Gateway

Example





Kabelverbindung zwischen Gateway und PoE erstellen.

Spannungsversorgung anlegen, Überspannungsschutz [1] vorschalten!

Entfernung Gateway zur Leuchte max. 50 m! (ohne Hindernisse)

Der Abstand hängt von dem an der Leuchte montierten Smart-Modul ab. Die Daten sind auf dem technischen Datenblatt angegeben

Crea una connessione cablato tra Gateway e PoE.

Applicare l'alimentazione, predisporre una protezione di sovratensione a monte [1]!

Distanza tra lampione e Gateway max. 50 m! (senza ostacoli)

La distanza dipende dal modulo Smart montato sulla lampada. Per i dati vedi scheda tecnica

Create a wired connection between Gateway and PoE.

Apply the power supply, arrange an upstream overvoltage protection [1]!

Distance between lamp post and Gateway max. 50 m! (without obstacles)

The distance depends on the smart module mounted on the lamp. The data is shown on the technical sheet

connex—x

Sede legale

Via della Mendola, 21 (Bolzano)

Änderungen und Irrtümer vorbehalten

Ci riserviamo il diritto di apportare modifiche tecniche

We reserve the right to make technical changes